

# BLACKBIRD™



## 8K HDMI 1x4 Switcher

P/N 44437  
Quick Start Guide

## Thank you for purchasing this product

To ensure optimum performance and safety, read the following instructions before connecting, operating, or adjusting the product. Keep this manual for future reference.

### Surge protection device recommended

This product contains sensitive electrical components that may have been damaged by electrical spikes, surges, electric shocks, lightning strikes, etc. The use of surge protection systems is highly recommended in order to protect and extend the life of your equipment.

### Table of Contents

Introduction.....	2
Features.....	2
Package Contents .....	2
Operation Controls and Functions .....	3
Application Example.....	5
Specifications .....	6

## Introduction

The 8K HDMI® 1x4 Splitter can distribute one HDMI source signal to any four display devices. With video resolution up to 8K@60Hz 4:2:0, it also supports advanced EDID management and audio de-embedding function (output through the optical and analog ports). This multi-functional product is useful for any event that needs big-screen presentations such as video conferences, multimedia teachings, and more.

## Features

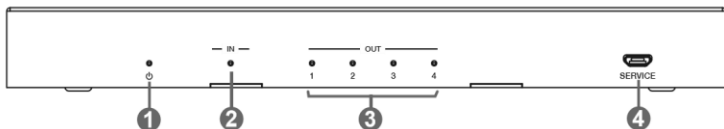
- HDMI 2.1 and HDCP 2.3 compliant
- 40Gbps video bandwidth
- Support video resolution up to 8K@60Hz 4:2:0 10bit, 8K@30Hz 4:4:4 10bit, and 4K@120Hz 4:4:4 10bit
- VRR, FVA, and ALLM
- HDR, HDR10, HDR10+, Dolby Vision, and HLG pass-through
- HDMI audio formats: LPCM, Dolby Digital/Plus/EX, Dolby True HD, DTS, DTS-EX, DTS-96/24, DTS High Res, DTS-HD Master Audio, DSD
- Built-in Equalizer, Retiming, and Driver
- Advanced EDID management
- Audio de-embedding function (output through the optical and analog port)
- Compact design for easy and flexible installation

## Package Contents

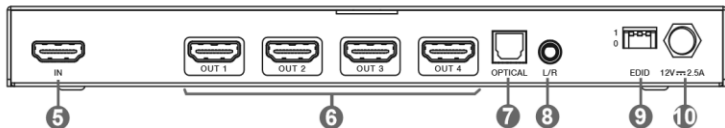
- 1 × 8K HDMI 1x4 Splitter
- 1 × 12V/2.5A Multinational Power Supply
- 1 × User Manual

# Operation Controls and Functions

## Front Panel



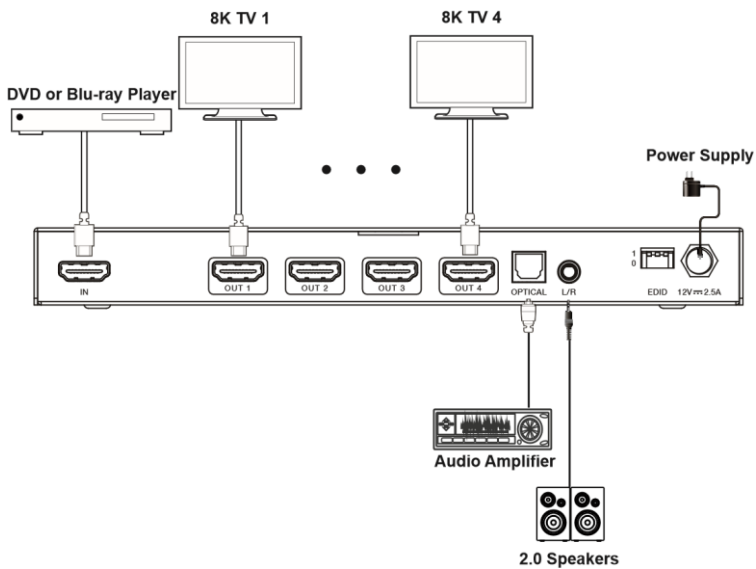
## Rear Panel



No.	Name	Function Description
1	POWER LED	When the device is powered on, the blue LED will be on.
2	IN LED	When the HDMI IN port connects to an active source device, the blue LED will be on.
3	OUT LED (1~4)	When the HDMI OUT 1/2/3/4 port connects a display device and outputs a signal, the corresponding blue LED will be on.
4	SERVICE	Firmware update port.
5	IN port	HDMI signal input port, connecting to HDMI source devices such as DVD players or gaming consoles with an HDMI cable.

6	OUT port (1~4)	HDMI signal output port, connecting to HDMI display devices such as televisions or monitors with an HDMI cable.
7	OPTICAL	Optical fiber audio output port.
8	L/R	Analog audio output port.
9	EDID DIP switch	Use the DIP switch to set EDID. 111- Copy OUT1 port sink EDID (as factory default) 110- HDMI 1080p@60Hz, Audio 2ch PCM 101- HDMI 4K@60Hz 4:4:4, Audio 2ch PCM, HDR 100- HDMI 4K@60Hz 4:4:4, Audio 5.1ch PCM/DTS/DOLBY, HDR 011- HDMI 4K@60Hz 4:4:4, Audio 7.1ch PCM/DTS/DOLBY/HD, HDR 010- HDMI 8K@60Hz 4:2:0+8K@30Hz 4:4:4, 4K@120Hz 4:4:4, Audio 2ch PCM, HDR 001- HDMI 8K@60Hz 4:2:0+8K@30Hz 4:4:4, 4K@120Hz 4:4:4, Audio 5.1ch PCM/DTS/DOLBY, HDR 000- HDMI 8K@60Hz 4:2:0+8K@30Hz 4:4:4, 4K@120Hz 4:4:4, Audio 7.1ch PCM/DTS/DOLBY/HD, HDR
10	Power port	12V/2.5A Power input port.

## Application Example



# Specifications

<b>Technical</b>	
HDMI Compliance	HDMI 2.1
HDCP Compliance	HDCP 2.3
Video Bandwidth	40Gbps
Video Resolution	Up to 8K@60Hz 4:2:0 10bit, 8K@30Hz 4:4:4 10bit, 4K@120Hz 4:4:4 10bit
Color Depth	8/10/12-bit
Color Space	RGB, YCbCr 4:4:4 / 4:2:2. YUV 4:2:0
Audio Formats	<b>HDMI input/output:</b> LPCM, Dolby Digital/Plus/EX, Dolby True HD, DTS, DTS-EX, DTS-96/24, DTS High Res, DTS-HD Master Audio, DSD <b>Audio de-embedding output:</b> Optical: LPCM 2/5.1 CH, Dolby Digital 2/5.1 CH, DTS 2/5.1 CH Analog: PCM 2.0
ESD Protection	Human body model — ±8kV (Air-gap discharge) & ±4kV (Contact discharge)
<b>Connection</b>	
	1 × HDMI IN [Type A, 19-pin female]
Input Output	4 × HDMI OUT [Type A, 19-pin female] 1 × OPTICAL [S/PDIF] 1 × L/R [3.5mm Stereo Mini-jack]
Control	1 × SERVICE [Micro USB, Update port]

<b>Mechanical</b>	
Housing	Metal Enclosure
Silkscreen Color	Black
Dimensions	212mm (W) × 94mm (D) × 23mm (H)
Weight	539g
Power Supply	Input: AC100 - 240V 50/60Hz, Output: DC 12V/2.5A (US standards, FCC/UL certified)
Power Consumption	9W (Max)
Operation Temperature	0°C ~ 40°C / 32°F ~ 104°F
Storage Temperature	-20°C ~ 60°C / -4°F ~ 140°F
Relative Humidity	20~90% RH (non-condensing)

## CUSTOMER SERVICE

The Monoprice Customer Service department is dedicated to ensuring that your ordering, purchasing, and delivery experience is second to none. If you have any problems with your order, please give us an opportunity to make it right. You can contact a Monoprice Customer Service representative through the Live Chat link on our website [www.monoprice.com](http://www.monoprice.com) or via email at [support@monoprice.com](mailto:support@monoprice.com). Check the website for support times and links.

## TECHNICAL SUPPORT

Monoprice™ is pleased to provide free, live, online technical support to assist you with any questions you may have about installation, setup, troubleshooting, or product recommendations. If you ever need assistance with your new product, please come online to talk to one of our friendly and knowledgeable Tech Support Associates. Technical support is available through the online chat button on our website [www.monoprice.com](http://www.monoprice.com) or through email by sending a message to [tech@monoprice.com](mailto:tech@monoprice.com). Check the website for support times and links.

To download the latest drivers, firmware, manuals, etc., go to [www.monoprice.com](http://www.monoprice.com) and type **44437** into the search bar. If available, support files are linked at the bottom of the product page.

## REGULATORY COMPLIANCE

### Notice for FCC



This device complies with Part 15 of the FCC rules. Operation is subject to the following two conditions: (1) this device may not cause harmful interference, and (2) this device must accept any interference received, including interference that may cause undesired operation.

Modifying the equipment without Monoprice's authorization may result in the equipment no longer complying with FCC requirements for Class B digital devices. In that event, your right to use the equipment may be limited by FCC regulations, and you may be required to correct any interference to radio or television communications at your own expense.

This equipment has been tested and found to comply with the limits for a Class B digital device, pursuant to Part 15 of the FCC Rules. These limits are designed to provide reasonable protection against harmful interference in a residential installation. This equipment generates, uses and can radiate radio frequency energy and, if not installed and used in accordance with the instructions, may cause harmful interference to radio communications. However, there is no guarantee that interference will not occur in a particular installation. If this equipment does cause harmful interference to radio or television reception, which can be determined by turning the equipment off and on, the user is encouraged to try to correct the interference by one or more of the following measures:

- Reorient or relocate the receiving antenna.
- Increase the separation between the equipment and receiver.

- Connect the equipment to an outlet on a circuit different from that to which the receiver is connected.
- Consult the dealer or an experienced radio/TV technician for help.

### **Notice for ISED Canada**

This Class B digital apparatus complies with Canadian ICES-003.

Cet appareil numérique de la classe B est conforme à la norme NMB-003 du Canada.



*The terms HDMI and HDMI High-Definition Multimedia interface, and the HDMI Logo are trademarks or registered trademarks of HDMI Licensing LLC in the United States and other countries.*

*Monoprice™ and all Monoprice logos are trademarks of Monoprice Inc.*



TECHNOLOGY AT PRICES THAT MAKE SENSE

[www.monoprice.com](http://www.monoprice.com)

Need Help? We're here for you!

Contact us: [www.monoprice.com/contactus](http://www.monoprice.com/contactus)

Product pictures are for reference only.

Specifications described herein are subject to change without prior notification.

Monoprice™ and all Monoprice logos are trademarks of Monoprice Inc.

Copyright © 2022 Monoprice, Inc. All rights reserved.

**Monoprice, Inc.**

1 Pointe Drive, Suite 400

Brea, CA 92821 – USA

[www.monoprice.com](http://www.monoprice.com)