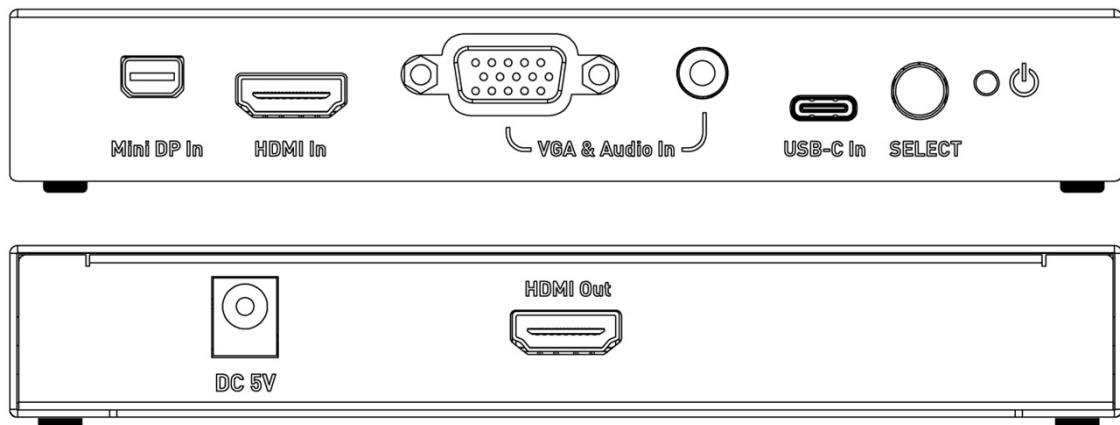


MONOPRICE

Blackbird™ 4K@60Hz Multi Video Input to HDMI® Converter



P/N 39798

User's Manual

SAFETY WARNINGS AND GUIDELINES

Please read this entire manual before using this device, paying extra attention to these safety warnings and guidelines. Please keep this manual in a safe place for future reference.

- This device is intended for indoor use only.
- Do not expose this device to water or moisture of any kind. Do not place drinks or other containers with moisture on or near the device. If moisture does get in or on the device, immediately unplug it from the power outlet and allow it to fully dry before reapplying power.
- Do not touch the device, the power cord, or any other connected cables with wet hands.
- Do not expose this device to excessively high temperatures. Do not place it in, on, or near a heat source, such as a fireplace, stove, radiator, etc. Do not leave it in direct sunlight.
- Prior to operation, check the unit and power cord for physical damage. Do not use if physical damage has occurred.
- Before plugging the unit into a power outlet, ensure that the outlet provides the same type and level of power required by the device.
- Take care to prevent damage to the power cord. Do not allow it to become crimped, pinched, walked on, or become tangled with other cords. Ensure that the power cord does not present a tripping hazard.
- Never unplug the unit by pulling on the power cord. Always grasp the connector head or adapter body.
- Ensure that power is turned off and disconnected before making any electrical connections.
- Clean using a soft, dry cloth only. Do not use chemical cleaners, solvents, or detergents. For stubborn deposits, moisten the cloth with warm water.
- This device has no user serviceable parts. Do not attempt to open, service, or modify this device.

INTRODUCTION

This Multi Video Input to HDMI® Converter converts Mini DisplayPort® video with audio, HDMI video with audio, VGA video with 3.5mm analog audio, and USB Type-C™ video with audio to HDMI video and audio. It supports output resolutions up to 4K@60Hz and can automatically switch inputs when the selected input is turned off.

FEATURES

- Accepts Mini DisplayPort®, HDMI®, VGA and 3.5mm audio, and USB Type-C™ audio/video inputs
- Outputs HDMI audio/video at resolutions up to 4K@60Hz
- Can automatically select the active input

CUSTOMER SERVICE

The Monoprice Customer Service department is dedicated to ensuring that your ordering, purchasing, and delivery experience is second to none. If you have any problem with your order, please give us an opportunity to make it right. You can contact a Monoprice Customer Service representative through the Live Chat link on our website www.monoprice.com or via email at support@monoprice.com. Check the website for support times and links.

PACKAGE CONTENTS

Please take an inventory of the package contents to ensure you have all the items listed below. If anything is missing or damaged, please contact Monoprice Customer Service for a replacement.

1x Multi Input to HDMI® Converter

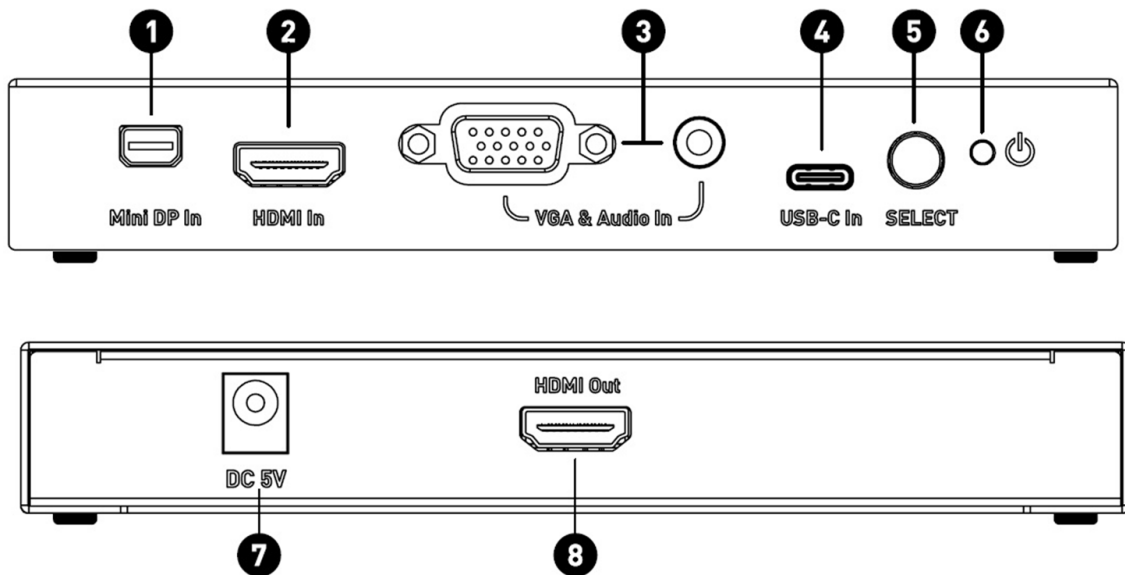
1x AC Power Adapter

2x Mounting Brackets

4x Mounting Screws

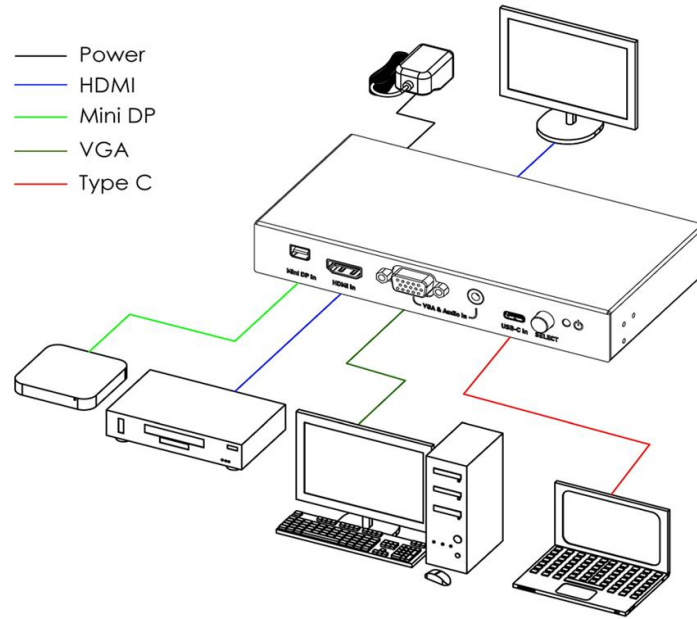
1x User's Manual

PRODUCT OVERVIEW



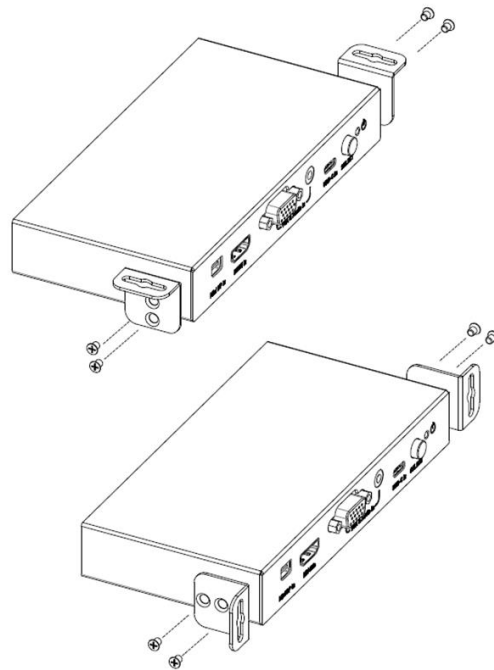
1. **Mini DP In:** Mini DisplayPort® audio/video connector for connecting a Mini DisplayPort source device.
2. **HDMI In:** HDMI audio/video input for connecting an HDMI source device.
3. **VGA & Audio In:** VGA video and 3.5mm analog audio inputs for connecting VGA video and stereo analog audio sources devices.
4. **USB-C In:** USB Type-C™ audio/video input for connecting a USB-C™ source device.
5. **SELECT:** Momentarily press the button to cycle to the next active input.
6. **POWER LED:** The LED illuminates when power is applied.
7. **DC 5V:** DC barrel connector for connecting the included AC power adapter.
8. **HDMI Out:** HDMI audio/video connector for connecting an HDMI display.

SAMPLE CONNECTION DIAGRAM



MOUNTING BRACKETS

The included mounting brackets can be installed vertically or horizontally, as shown in the image below.



TECHNICAL SUPPORT

Monoprice is pleased to provide free, live, online technical support to assist you with any questions you may have about installation, setup, troubleshooting, or product recommendations. If you ever need assistance with your new product, please come online to talk to one of our friendly and knowledgeable Tech Support Associates. Technical support is available through the online chat button on our website www.monoprice.com or through email by sending a message to tech@monoprice.com. Check the website for support times and links.

REGULATORY COMPLIANCE

Notice for FCC



This device complies with Part 15 of the FCC rules. Operation is subject to the following two conditions: (1) this device may not cause harmful interference, and (2) this device must accept any interference received, including interference that may cause undesired operation.

Modifying the equipment without Monoprice's authorization may result in the equipment no longer complying with FCC requirements for Class B digital devices. In that event, your right to use the equipment may be limited by FCC regulations, and you may be required to correct any interference to radio or television communications at your own expense.

This equipment has been tested and found to comply with the limits for a Class B digital device, pursuant to Part 15 of the FCC Rules. These limits are designed to provide reasonable protection against harmful interference in a residential installation. This equipment generates, uses and can radiate radio frequency energy and, if not installed and used in accordance with the instructions, may cause harmful interference to radio communications. However, there is no guarantee that interference will not occur in a particular installation. If this equipment does cause harmful interference to radio or television reception, which can be determined by turning the equipment off and on, the user is encouraged to try to correct the interference by one or more of the following measures:

- Reorient or relocate the receiving antenna.
- Increase the separation between the equipment and receiver.
- Connect the equipment into an outlet on a circuit different from that to which the receiver is connected.
- Consult the dealer or an experienced radio/TV technician for help.

Notice for Industry Canada

This Class B digital apparatus complies with Canadian ICES-003.

Cet appareil numérique de la classe B est conforme à la norme NMB-003 du Canada.

Blackbird™ is a trademark of Monoprice Inc.

HDMI®, the HDMI Logo, and High-Definition Multimedia Interface are trademarks or registered trademarks of HDMI Licensing LLC in the United States and other countries.

DisplayPort® and the DisplayPort® logo are registered trademarks of the Video Electronics Standards Association.

USB Type-C™ and USB-C™ are trademarks of USB Implementers Forum, Inc.